

THANKS FOR YOUR PREFERENCE TO BINOTTO! 65-200

Binotto
THE TIPPING POWER

BINOTTO
CENTRIFUGAL PUMP



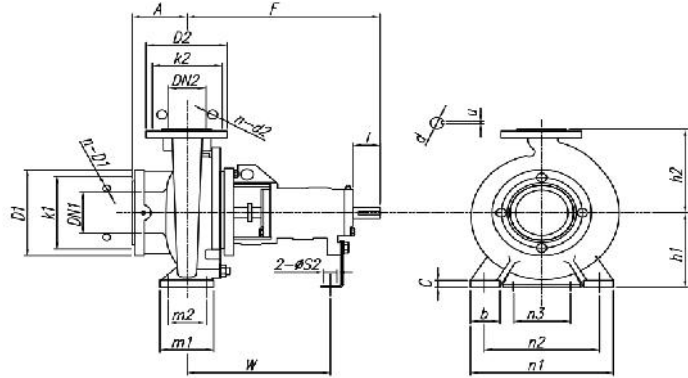
| CODE | MATERIAL |
|-------------------|---------------------|
| BNTCCSMO | CAST IRON / ASTM420 |
| BNTCS304S304MO | CAST IRON / ASTM304 |
| BNTS304S304S304MO | ASTM304 / ASTM304 |

DESING & STRUCTURE

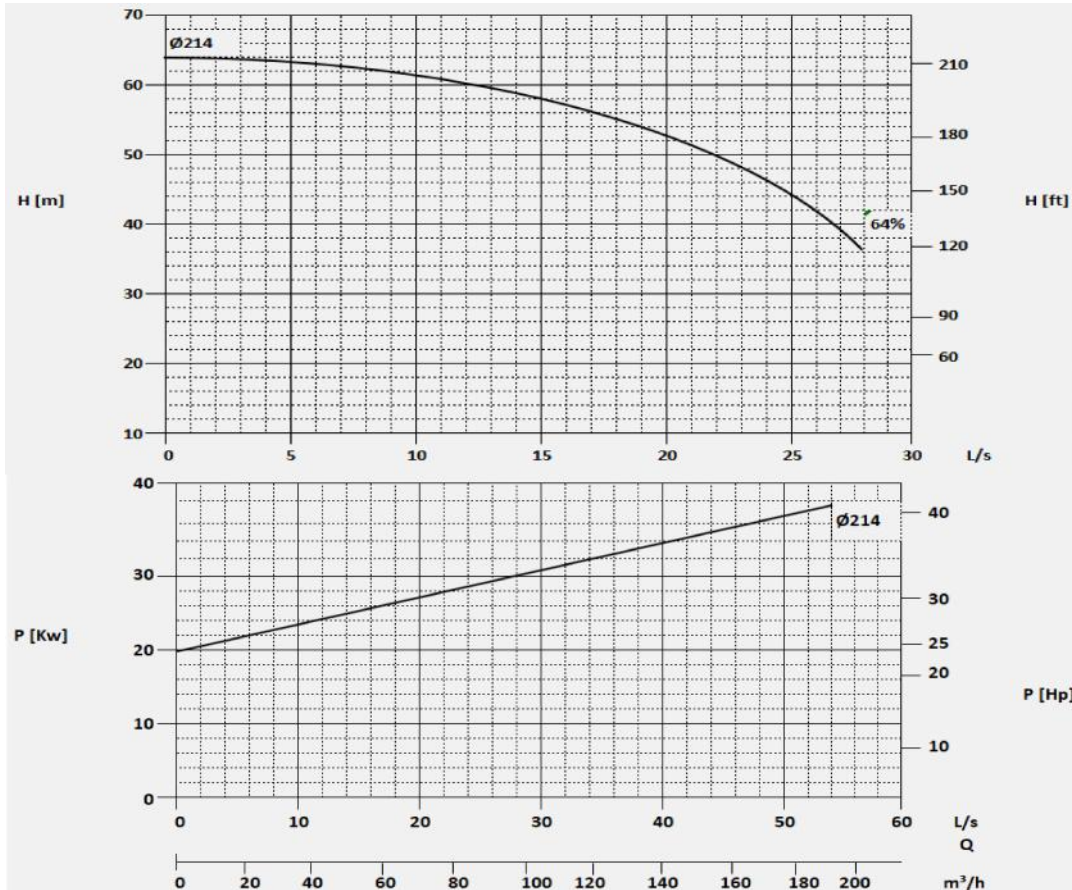
| | |
|-----------|---|
| DESING | PERFORMANCE AND DIMENSIONS REFERRING TO THE EUROPEAN STANDARD BS EN733 / DIN24255 |
| STRUCTURE | HORIZONTAL, AXIAL END-SUCTION, SINGLE-STAGE, SINGLE-SUCTION, VOLUTE CASING, BACK PULL-OUT |

OPERATING RANGE

| | |
|------------------|-----------------|
| FLOW RATE (Q) | 120m³/h |
| HEAD (H) | 2-150m |
| SPEED | 2900 rpm (50Hz) |
| TEMPERATURE | -10 A 105 |
| WORKING PRESSURE | 10 BAR STANDARD |



| MODEL | DN2 | DN1 | A | F | h1 | h2 | B | C | n3 | n1 | n2 | m1 | m2 | D1 | k1 | D2 | k2 | W | d | l | t | u | Weight (Kg) |
|--------|-----|-----|-----|-----|-----|-----|----|----|-----|-----|-----|-----|----|-----|-----|-----|-----|-----|----|----|----|---|-------------|
| 65-200 | 65 | 80 | 100 | 360 | 180 | 225 | 65 | 14 | 110 | 320 | 250 | 125 | 95 | 185 | 145 | 165 | 125 | 267 | 24 | 50 | 27 | 8 | 55 |



Binotto SRL

Via Divisione Julia, 7/B, 36031 Dueville VI, (Vicenza) Italia

info@binotto.com / www.binotto.com